

Boulevard



v1.1

+Halle®

Boulevard

Wander into MSDS smart frame structure Boulevard and you will find yourself intuitively leaning, come to rest and dwell. You might take a perching posture, like a bird on a telephone wire, taking a minute to overlook the landscape.

The Boulevard collection is purpose-built for an active space, in need for a pause. In the lounge, or breakout area, the importance of places for respite have increased, and Boulevard taps into that in the growing need for resting together, allowing for a quick break and a deep breath.

Design: MSDS

Toronto-based design studio, led by Jonathan Sabine and Jessica Nakanishi.

This design studio has a honourable ethos based on resourcefulness. Focused on materials and human settings, the studio embodies tactility and form in a humble manner.

MSDS' process pioneers a more analytic approach to design, imbuing it with an internal logic that is discernible to users who considers their environments. New interesting retail interiors are at the forefront of this Canadian practise, which is guided by anthropology in a new era of consumer behaviour within the public space.



Specifications

Modules	Length	Width	Height	Weight (Net/Gross)	Package dimensions (L / W / H)
60 cm	60 cm	23 cm	74 cm	11 Kg / 13 kg	66 / 29 / 80 cm
60 cm with table		36 cm	88 cm	12 Kg / 14 kg	66 / 42 / 94 cm
120 cm	120 cm	23 cm	74 cm	22 Kg / 24 kg	126 / 29 / 80 cm
120 cm with table		36 cm	88 cm	23 Kg / 25 kg	126 / 42 / 94 cm
90° angle	71,5 cm	71,5 cm	74 cm	12 Kg / 14 kg	78 / 78 / 80 cm
180° angle	143 cm	71,5 cm	74 cm	24 Kg / 26 kg	149 / 78 / 80 cm

Design MSDS

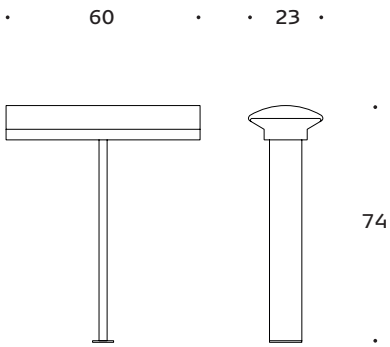
Material Seats: Solid CNC cut plywood and CNC cut foam. Sides strengthened with massonit.
Frame: Steel
Table: CNC cut aluminium arm and solid CNC cut oak table (soap treated, clear lacquer or black stained)

Upholstery All standard fabrics can be recommended

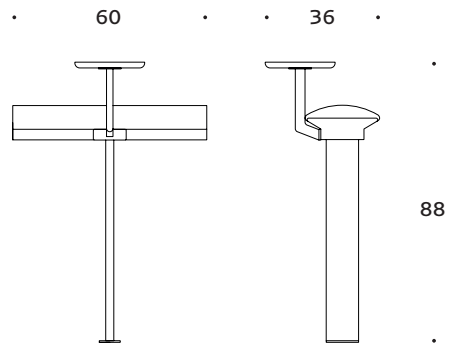
Tests and Certificates L2 Extreme Use
EN 16139:2013 (Furniture - strength, durability and safety - Requirements for non-domestic seating)
EN 1022:2005 (Domestic furniture - seating - Determination of stability)

Dimensions

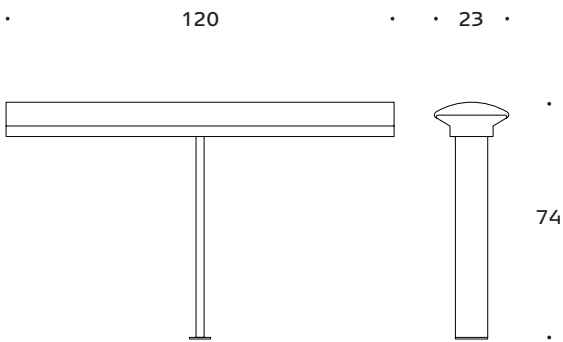
60 cm



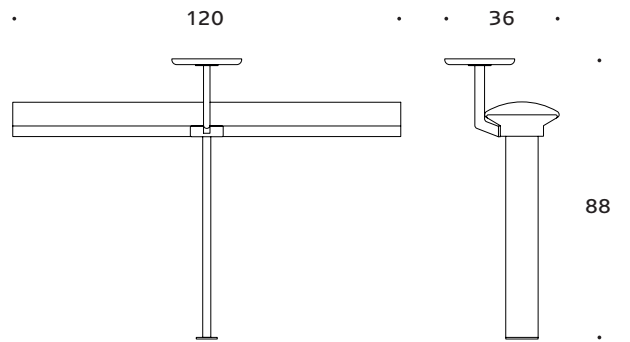
60 cm with table



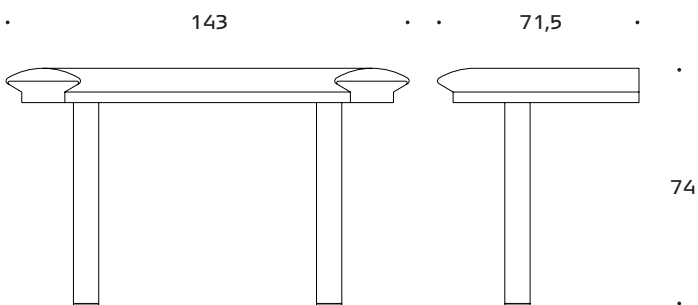
120 cm



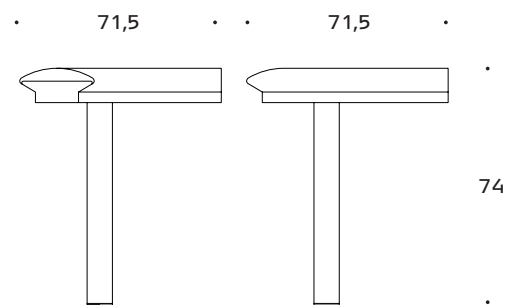
120 cm with table



180° angle



90° angle



Notes

A large grid of small dots, intended for taking notes.

Clarity of purpose

We believe that furniture should have clarity of purpose. This belief informs all of our work as we continue to explore and foster behavioural-led public spaces.